



## ADM-2121AP-VHB

Panel Mount 21.5-inch 1000 nits Very High Bright Sunlight Readable LCD Display Monitor

### Features

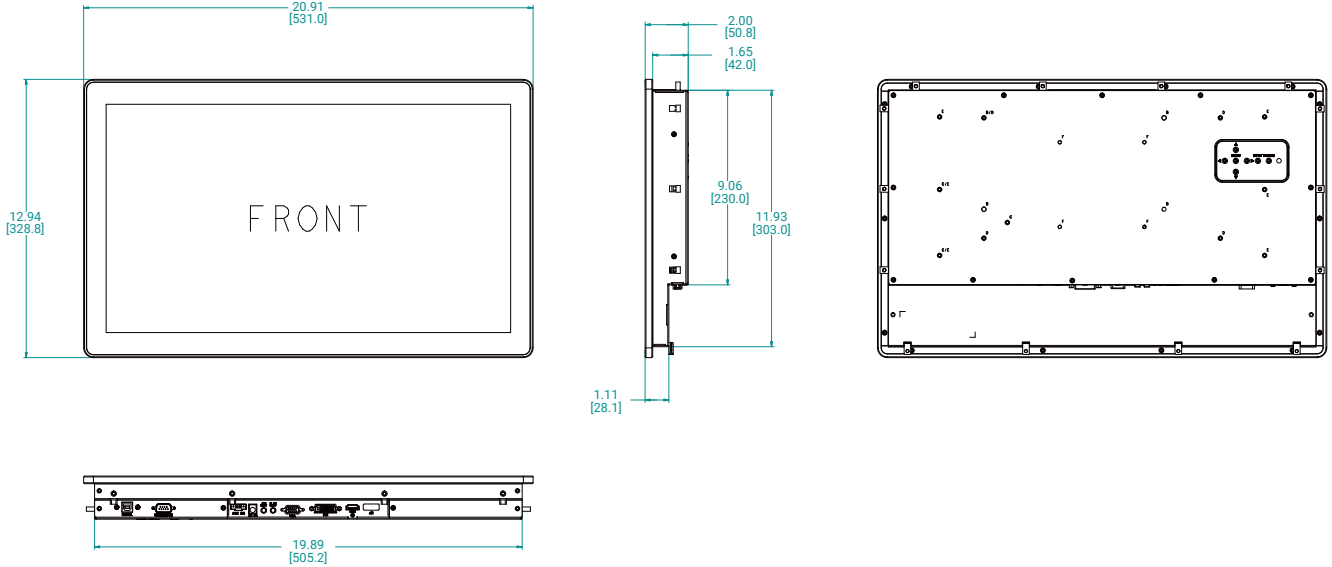
- 21.5-inch LCD Display, 1920 x 1080 resolutions
- 1000 nits Very High Bright Sunlight Readable
- Project Capacitive Touch Screen supports multi-touch
- Anodized Aluminum or Stainless-Steel Bezel
- Bezel meets IP65 / NEMA 4X requirements
- RS-232, USB Touch Interface
- VGA, DVI Input
- 24VDC Operating Voltage option

### Specifications

Model Name	ADM-2121AP-VHB
<b>LCD Display</b>	
Display Size (Diagonal)	21.5 inch
Resolution	1920 x 1080
Backlight Lifetime (Hours)	50,000
<b>Visual Characteristics</b>	
Colors	16.7 million
Aspect ratio	16:9
Viewing angle (V/H)	178° / 178°
Response time (Typical)	14 ms
Pixel Pitch (mm)	0.248 x 0.248
Contrast ratio	1000 : 1
Brightness	1000 nits
<b>Input Interface</b>	
VGA	Yes
DVI	Yes
HDMI	N/A
Display Port	N/A
CVBS	Yes
YPbPr	Yes
<b>Touch Screen</b>	
Technology	Projected Capacitive
Interface	USB
Driver	Win 7, Win10
<b>Front Bezel</b>	
NEMA 4	Aluminum
NEMA 4x	Stainless Steel (Optional)
<b>Power/Thermal Specs</b>	
Power Requirement (Max)	12VDC / 2.10A, 24VDC / 1.04A
Power Consumption (Max)	25 W
Recommended Power Supply	36 W
Heat Dissipation	85 BTU/hr
<b>Physical Information</b>	
Mounting	Panel Mount
Net Weight	20 lbs / 9.07 kg
Dimension (W x H x D)	20.91 x 12.94 x 2.16 inch 531.0 x 328.8 x 54.9 mm
Recommended Cutout Dimension (WxH)	20.09 x 12.13 inch 510.2 x 308.0 mm
<b>Environmental</b>	
Operating Temperature	0~35°C (32~95°F)
Storage Temperature	-20 to 60°C (-4 to 140°F)
Relative Humidity	0~95%
IP/NEMA Rating	Bezel meets NEMA 4/4X requirement
Certification	N/A

## Dimension Drawing

Model Name: ADM-2121AP-VHB  
 Size Unit: inch(mm)



## Ordering Information

Item	ADM-2121AP-H00-VHB	ADM-2121AP-H01-VHB
LCD Display	VHB 21" / 1920 x 1080	VHB 21" / 1920 x 1080
Touch Screen	5-Wire Resistive	5-Wire Resistive
Mounting	Panel Mount	Panel Mount
Enclosure	Black	Black
Power Supply	24VDC Input	12VDC Power Adaptor

Item	ADM-2121AP-H04-VHB	ADM-2121AP-H05-VHB
LCD Display	VHB 21" / 1920 x 1080	VHB 21" / 1920 x 1080
Touch Screen	5-Wire Resistive	5-Wire Resistive
Mounting	Panel Mount	Panel Mount
Enclosure	Stainless Steel	Stainless Steel
Power Supply	24VDC Input	12VDC Power Adaptor